



Resolution 2005-074

A RESOLUTION TO ADOPT CONSTRUCTION STANDARDS FOR INSTALLATION OF CONDUIT AND SPLICE VAULTS FOR FUTURE INSTALLATION OF FIBER OPTIC CABLE.

WHEREAS, the City has adopted an ordinance requiring installation of conduit and splice vaults for the future installation of fiber optic cable; and

WHEREAS, standards are necessary to define the construction standards for the installation of these improvements, and

WHEREAS, it is necessary to have standardized details for construction, whether the construction is pursuant to public contract or to private development, to protect the interest of public health, safety and welfare.

NOW, THEREFORE, THE CITY RESOLVES AS FOLLOWS:

Section 1: The fiber optic standard drawings FO-01 thru FO-05 are approved.

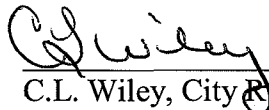
Section 2: This resolution is and shall be effective from and after its passage by the Council.

Duly passed by the City Council this 6th day of December 2005.



Keith S. Mays, Mayor


ATTEST:

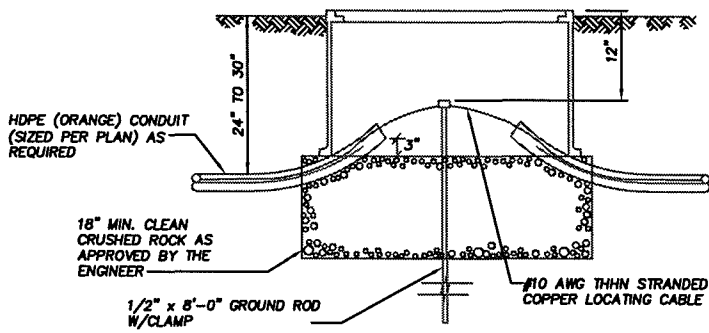


C.L. Wiley, City Recorder

Attached: Fiber Optic Drawings FO-01 thru FO-04

1. FIBER OPTIC CONDUIT TO BE HDPE (ORANGE)
2. CONDUIT DIAMETER TO BE 2" UNLESS OTHERWISE SPECIFIED
3. TRACER WIRE TO BE #10 AWG THIN STRANDED COPPER CABLE
4. FIBER OPTIC JUNCTION BOX TO BE:
MANUFACTURER: ARMORCAST
NUMBER: A6001974APCX24
UNLESS OTHERWISE SPECIFIED
5. FIBER OPTIC SPLICE VAULT TO BE:
MANUFACTURER: UTILITY VAULT
NUMBER: 233-LA
UNLESS OTHERWISE SPECIFIED
6. MARKER TAPE (IF REQUIRED) TO BE 6" VINYL UNLESS OTHERWISE SPECIFIED
7. FIBER OPTIC CABLE TO BE INSTALLED BY OTHERS

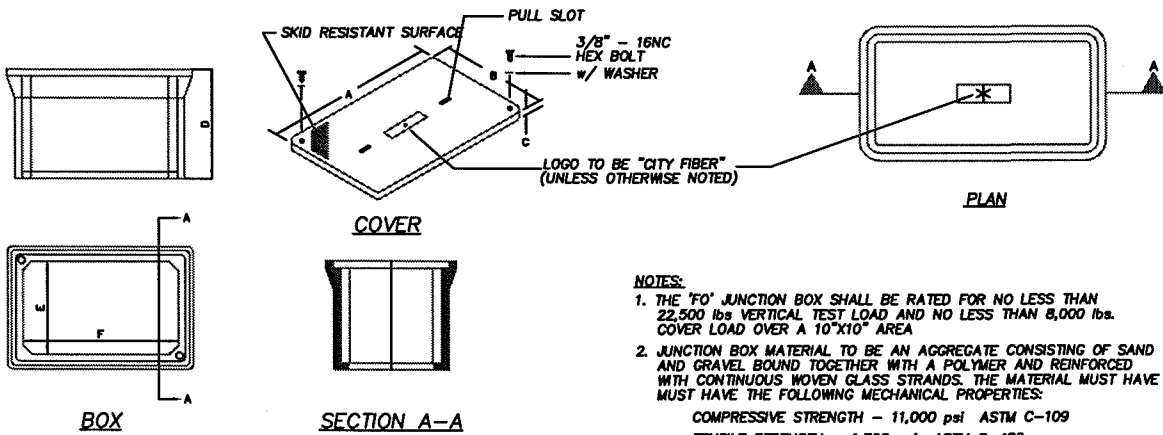
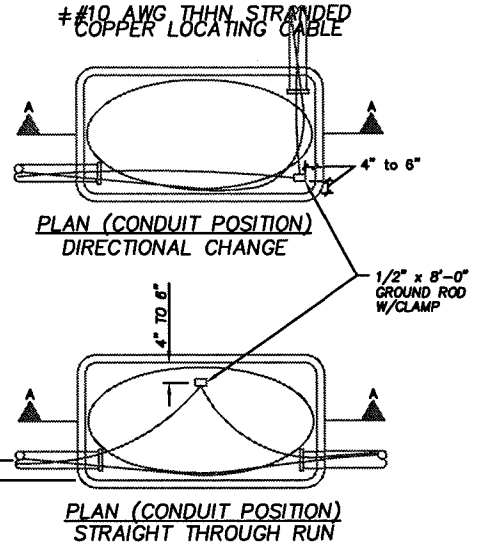
	STANDARD DRAWING TITLE		DRAWING NUMBER
	FIBER OPTIC STANDARD SPECIFICATIONS		FO-01
	Any alteration of this drawing may not be associated in any way with the City of Sherwood Standard Drawings.	SCALE	DATE
		N.T.S.	



SECTION A-A
INITIAL BOX INSTALLATION DETAIL

NOTES:

1. THE CONDUIT SHALL ENTER AND EXIT THE JUNCTION BOX BETWEEN 24" AND 30" AND SHALL BE 4" CENTERED OFF THE EDGE OF THE SERVICE BOX WALL.
2. 18" MIN. LAYER OF 1/2" CLEAN CRUSHED ROCK SHALL BE CONSTRUCTED BELOW THE SERVICE BOX FOR DRAINAGE PURPOSES.
3. FIBER OPTIC CABLE BY OTHERS



NOTES:

1. BOXES SHALL BE STACKABLE FOR EXTRA DEPTH.
2. BOXES AND COVERS SHALL BE RATED FOR NO LESS THAN 8000 POUNDS OVER A 10 in x 10 in AREA.

NOTES:

1. THE 'FO' JUNCTION BOX SHALL BE RATED FOR NO LESS THAN 22,500 lbs VERTICAL TEST LOAD AND NO LESS THAN 8,000 lbs. COVER LOAD OVER A 10"x10" AREA
2. JUNCTION BOX MATERIAL TO BE AN AGGREGATE CONSISTING OF SAND AND GRAVEL BOUND TOGETHER WITH A POLYMER AND REINFORCED WITH CONTINUOUS WOVEN GLASS STRANDS. THE MATERIAL MUST HAVE THE FOLLOWING MECHANICAL PROPERTIES:
 COMPRESSIVE STRENGTH - 11,000 psi ASTM C-109
 TENSILE STRENGTH - 1,700 psi ASTM C-496
 FLEXURAL STRENGTH - 7,500 psi ASTM D-790
3. A 1/2" x 8"-0" GROUND ROD SHALL BE INSTALLED IN EACH JUNCTION BOX

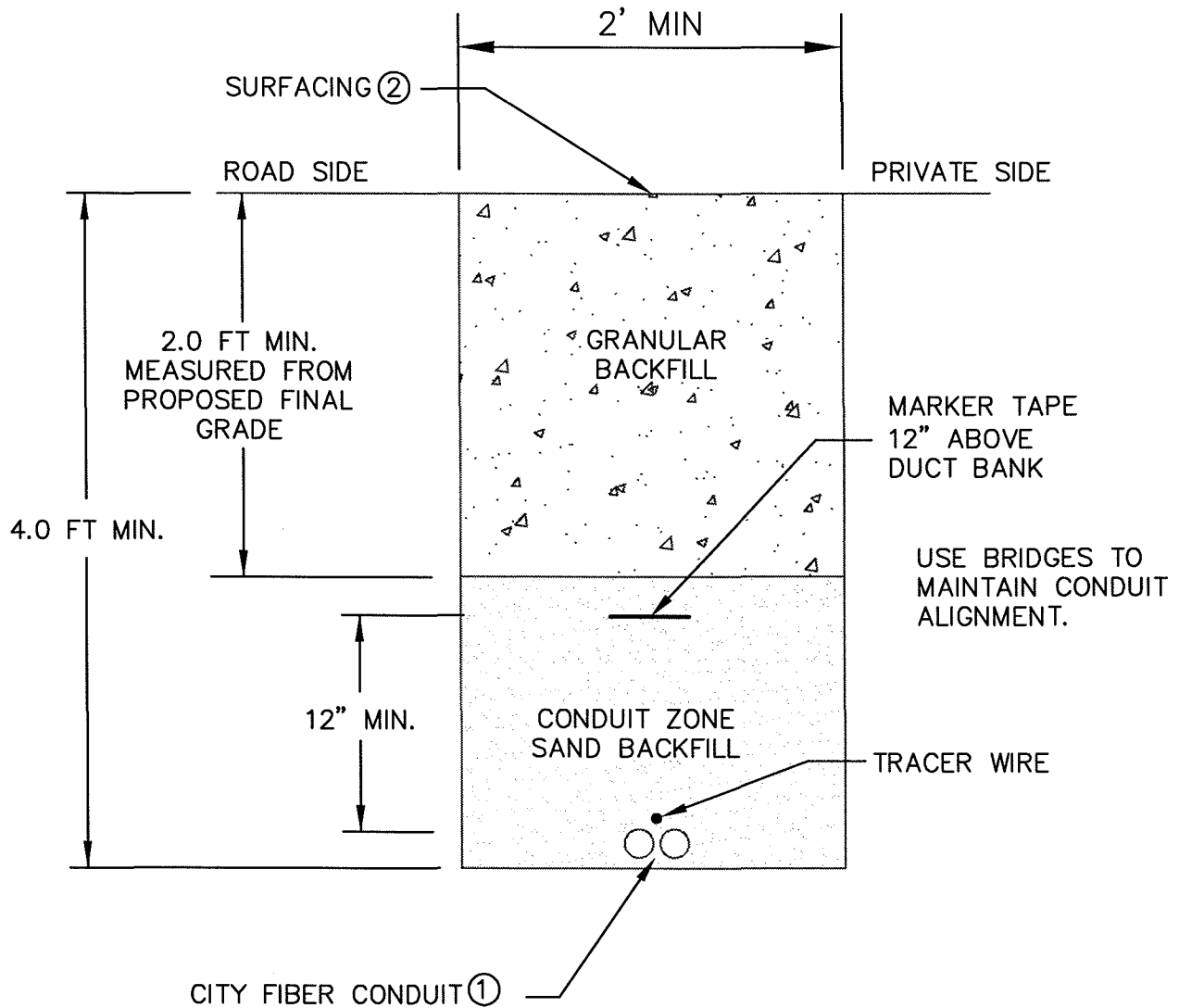
UNITS	DIMENSION					
	A	B	C	D	E	F
Inches	35 5/8	24	3	24	22 1/4	33 7/8

**FIBERGLASS REINFORCED POLYMER CONCRETE
FIBER OPTIC JUNCTION BOX DETAILS**

NOT TO SCALE



STANDARD DRAWING TITLE		DRAWING NUMBER	
FIBER OPTIC JUNCTION BOX		FO-02	
Any alteration of this drawing may not be associated in any way with the City of Sherwood Standard Drawings.		SCALE	DATE
		N.T.S.	




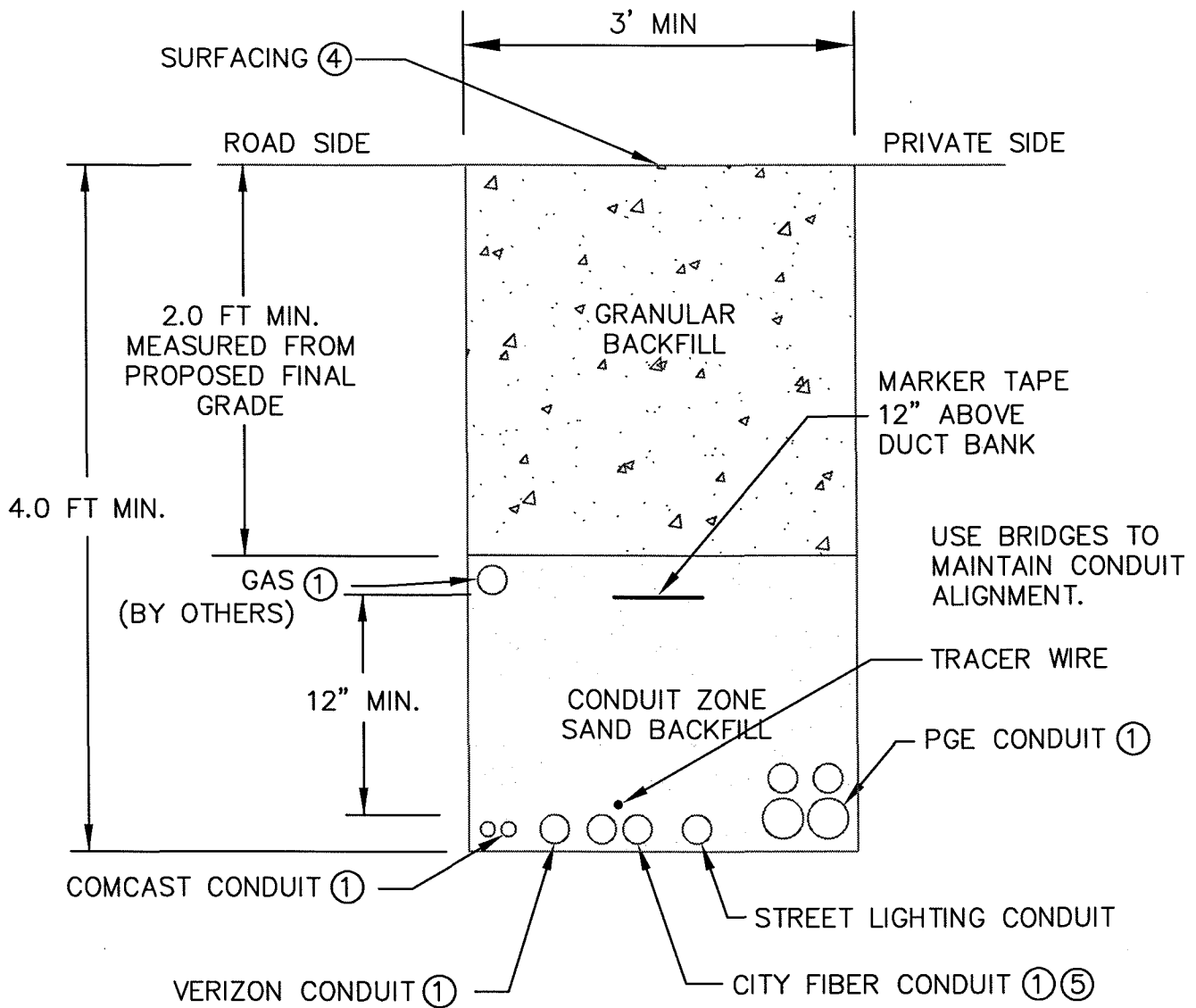
CITY FIBER OPTIC TRENCH

TYPICAL SECTION

THIS SECTION IS SCHEMATIC AND FOR INFORMATIONAL PURPOSES.
NTS

- NOTE: ① MINIMUM CONDUIT SIZE 2" DIAMETER. SEE PLANS FOR LOCATIONS. CONDUIT TO BE HDPE (ORANGE).
- ② SURFACING OF PAVED AREAS SHALL COMPLY WITH CUT STANDARD DRAWING ST-12.

	STANDARD DRAWING TITLE		DRAWING NUMBER
	CITY FIBER OPTIC TRENCH DETAIL		FO-03
	Any alteration of this drawing may not be associated in any way with the City of Sherwood Standard Drawings.	SCALE	DATE
		N.T.S.	



UTILITIES JOINT TRENCH

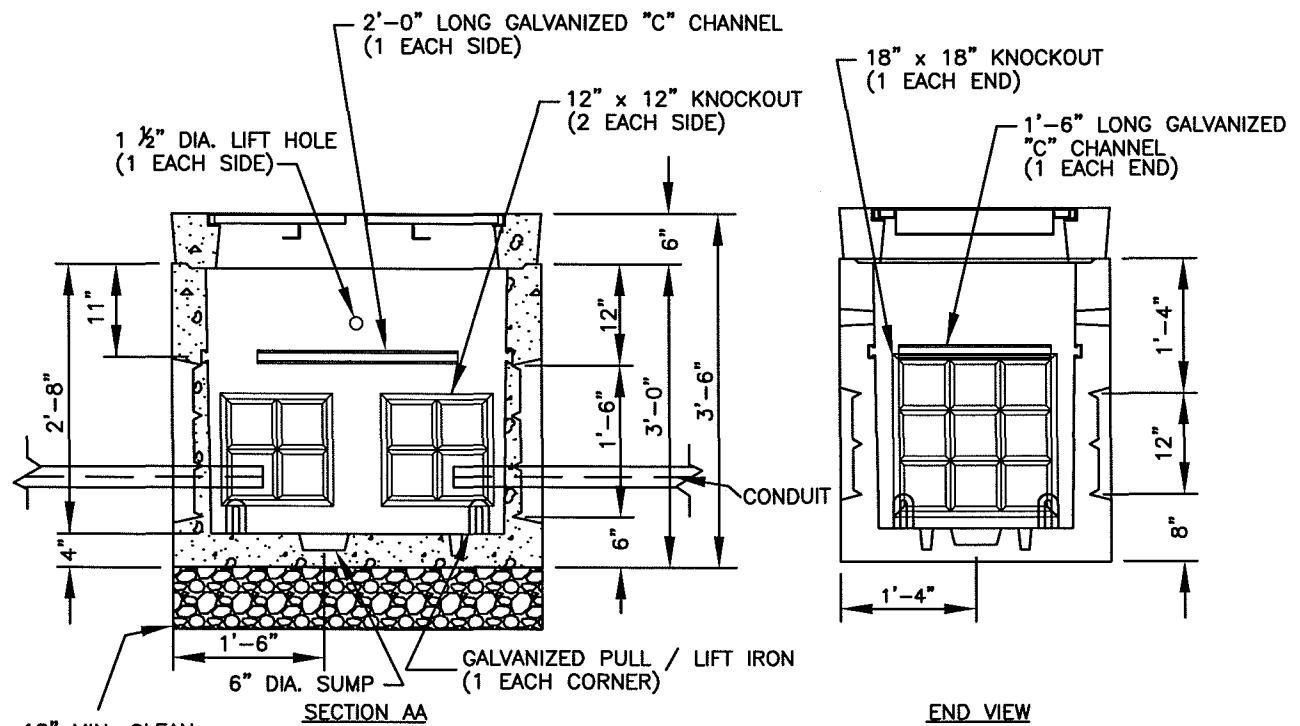
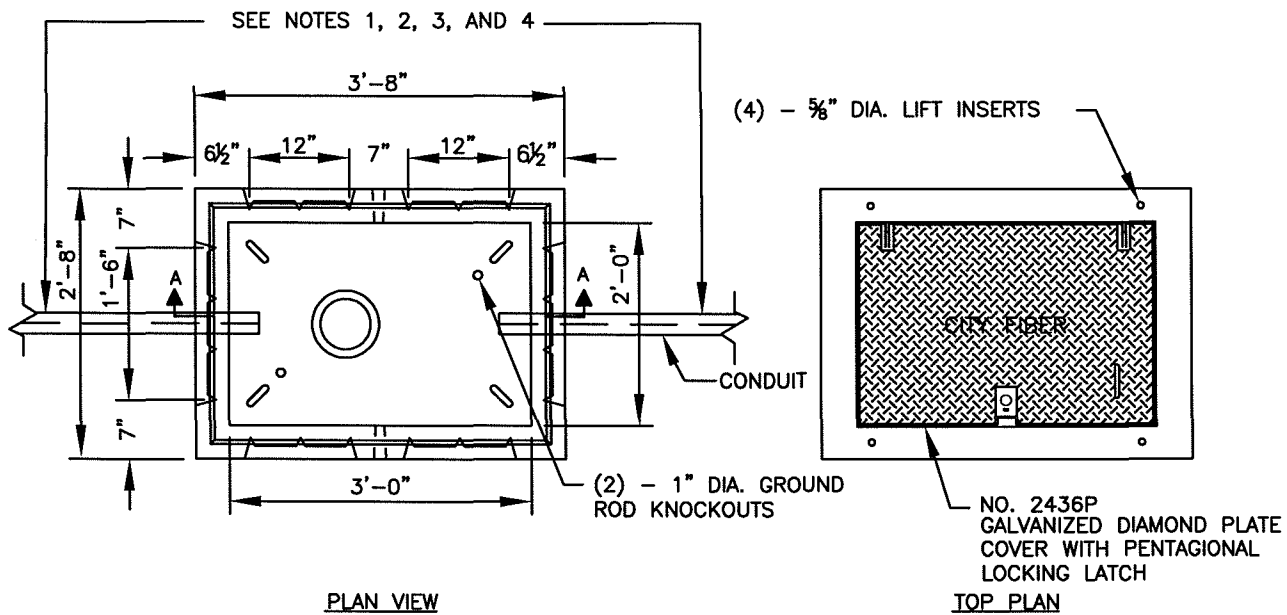
TYPICAL SECTION

THIS SECTION IS SCHEMATIC AND FOR INFORMATIONAL PURPOSES.
NTS

- NOTE: ① UTILITIES IN JOINT TRENCH VARY BY PROJECT AREA. SEE PLANS FOR LOCATIONS AND SIZES OF CONDUIT FOR EACH UTILITY.
- ② CONDUIT SIZE VARIES, SEE PLANS FOR LOCATIONS.
- ③ SEE PLANS FOR SIZE AND LOCATIONS.
- ④ SURFACING OF PAVED AREAS SHALL COMPLY WITH CUT STANDARD DRAWING ST-12.
- ⑤ MINIMUM CONDUIT SIZE 2", CONDUIT TO BE HDPE (ORANGE)



STANDARD DRAWING TITLE		DRAWING NUMBER
UTILITIES JOINT TRENCH DETAIL		FO-04
Any alteration of this drawing may not be associated in any way with the City of Sherwood Standard Drawings.	SCALE	DATE
	N.T.S.	



18" MIN. CLEAN CRUSHED ROCK AS APPROVED BY THE ENGINEER (N.T.S.)

NOTES:

1. SEE STANDARD SPECIFICATIONS FOR CONDUIT DEPTH.
2. SEE PLANS AND SPECIFICATIONS FOR CONDUIT SIZE.
3. FIBER OPTIC CABLE BY OTHERS
4. SEAL PENETRATION WATER TIGHT



STANDARD DRAWING TITLE		DRAWING NUMBER
FIBER OPTIC SPLICE VAULT		FO-05
Any alteration of this drawing may not be associated in any way with the City of Sherwood Standard Drawings.	SCALE	DATE
	N.T.S.	