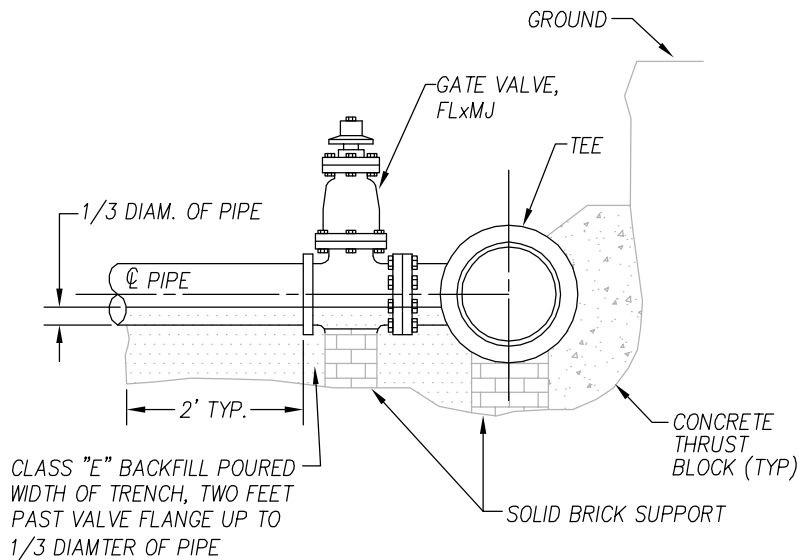
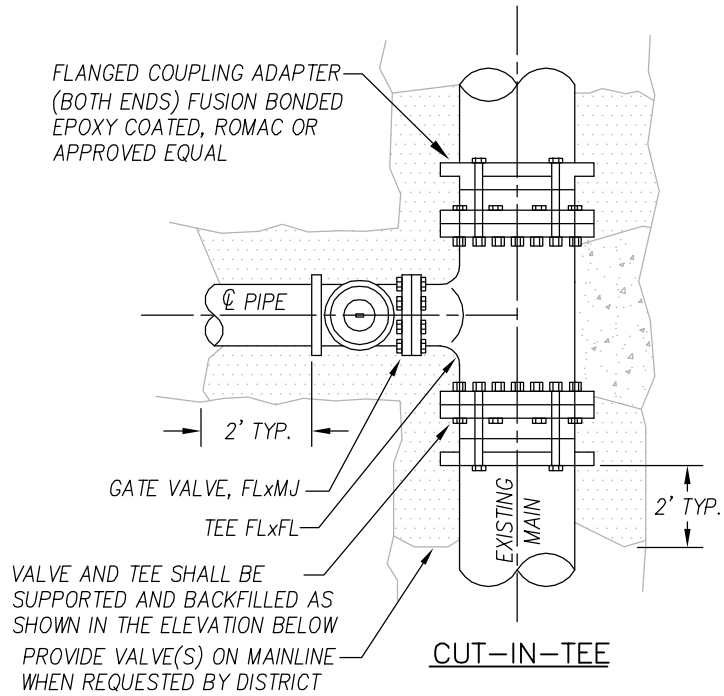


**NOTES:**

1. CONNECTIONS TO EXISTING SHALL BE PERFORMED UNDER THE DIRECT SUPERVISION OF THE DISTRICT. VALVES SHALL BE OPERATED BY DISTRICT ONLY, CONTRACTOR SHALL NOT OPERATE VALVE.
2. 11 MIL PLASTIC OR CONSTRUCTION FABRIC SHALL BE WRAPPED AROUND PIPE AND FITTINGS BEFORE THRUST BLOCK AND CONTROL DENSITY BACKFILL ARE POURED.
3. SUPPORT VALVE AND TEE CONTINUOUSLY THROUGH INSTALLATION.



**ELEVATION**