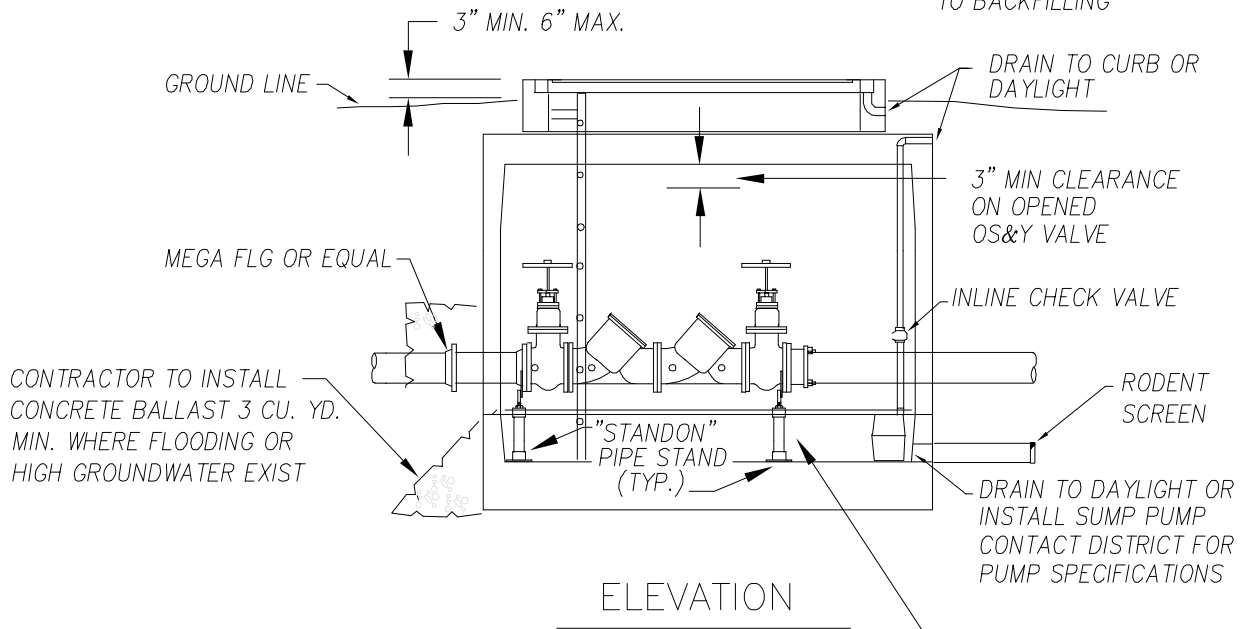
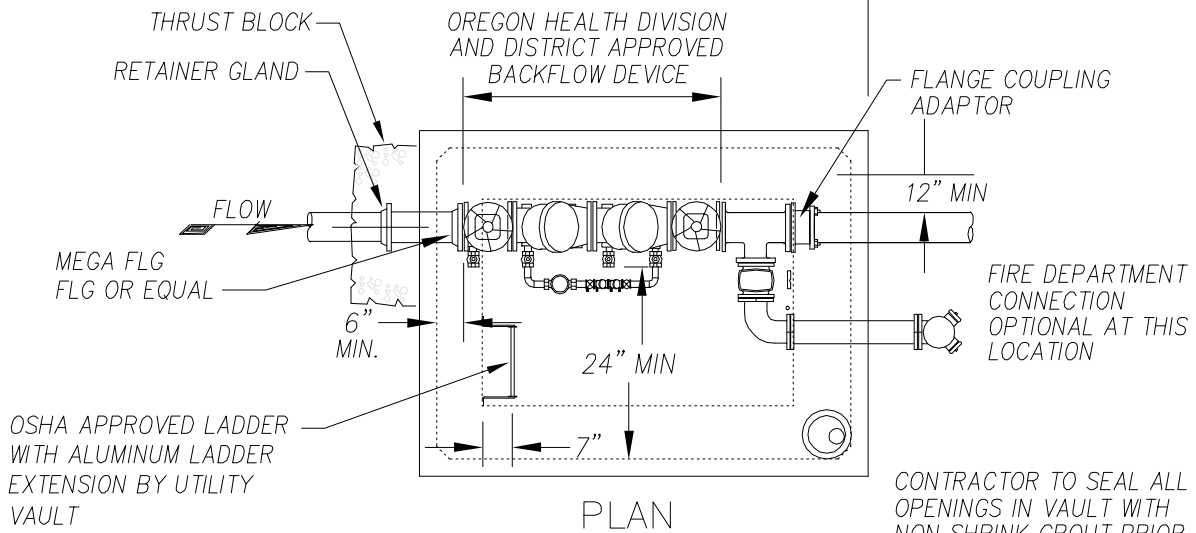


LAKE GROVE DEPT. STANDARDS PLUMBING CODE



FIRE DOUBLE CHECK VALVE ASSEMBLY

SIZE	UTILITY VAULT OR *EQUAL		BILCO DOOR OR *EQUAL
	WITH F.D.C.	WITHOUT F.D.C.	
4	676-WA	577-WA	J-5AL
6	687-WA	676-WA	J-5AL
8	5106-LA	687-WA	JD-3AL
10	5106-LA	2106-LA	JD-3AL

\* DISTRICT APPROVED EQUAL