

**RESOLUTION NO. 1052**

**A RESOLUTION EXEMPTING THE PURCHASE OF  
DECORATIVE STREET LIGHT FIXTURES FROM  
COMPETITIVE BIDDING AND BRAND NAME  
SPECIFICATIONS**

**WHEREAS, the City Council in Resolution No. 569 of November 13, 1984 adopted a Downtown Improvement Plan which included the installation of a particular street light fixture; and**

**WHEREAS, the particular street light fixture is manufactured only by Spring City Electrical Manufacturing Company and distributed exclusively by the Berg Agency; and**

**WHEREAS, Multnomah County plans to reconstruct Columbia River Highway and adjacent sidewalks in the Downtown area and is willing to include the installation of the decorative street lights in the project if they are furnished by the City of Troutdale; and**

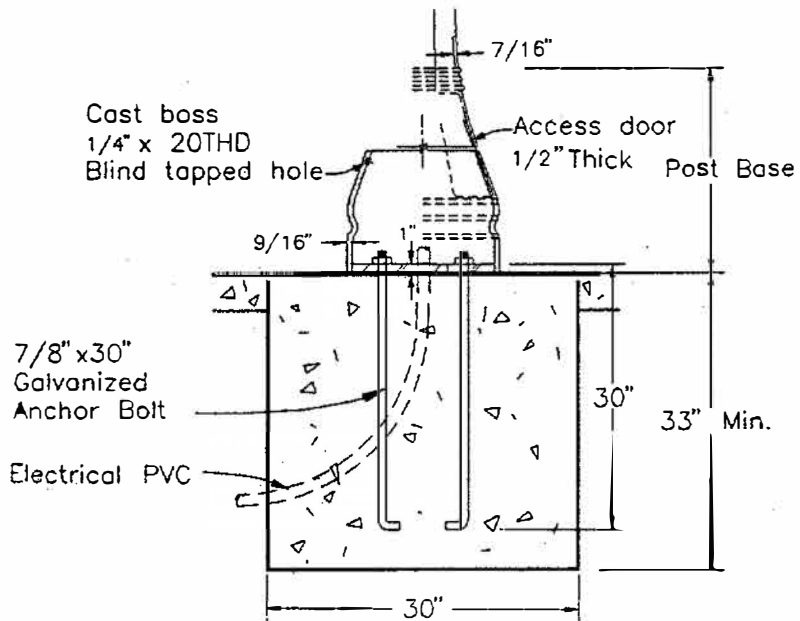
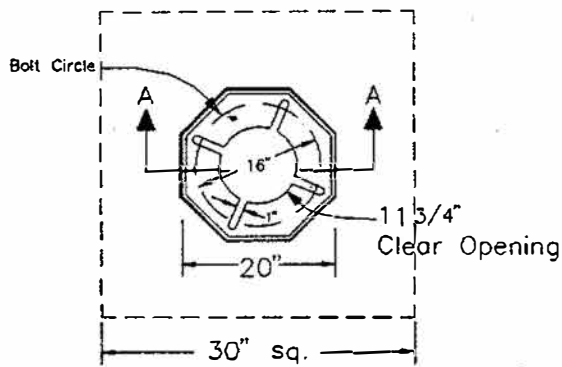
**WHEREAS, the City's FY 1993-94 budget has included funding for these decorative street lights; and**

**WHEREAS, Troutdale Municipal Code 2.24.030 (A.4) authorizes an exemption to the requirements for competitive bidding if an item is available "only through one company, firm, or individual"; and**

**WHEREAS, Troutdale Municipal Code 2.24.050 also authorizes the Local Contract Review Board to grant an exemption for the purchase of a product by brand name from a particular manufacturer or seller.**

**NOW, THEREFORE, BE IT RESOLVED BY THE COMMON COUNCIL OF THE CITY OF TROUTDALE THAT:**

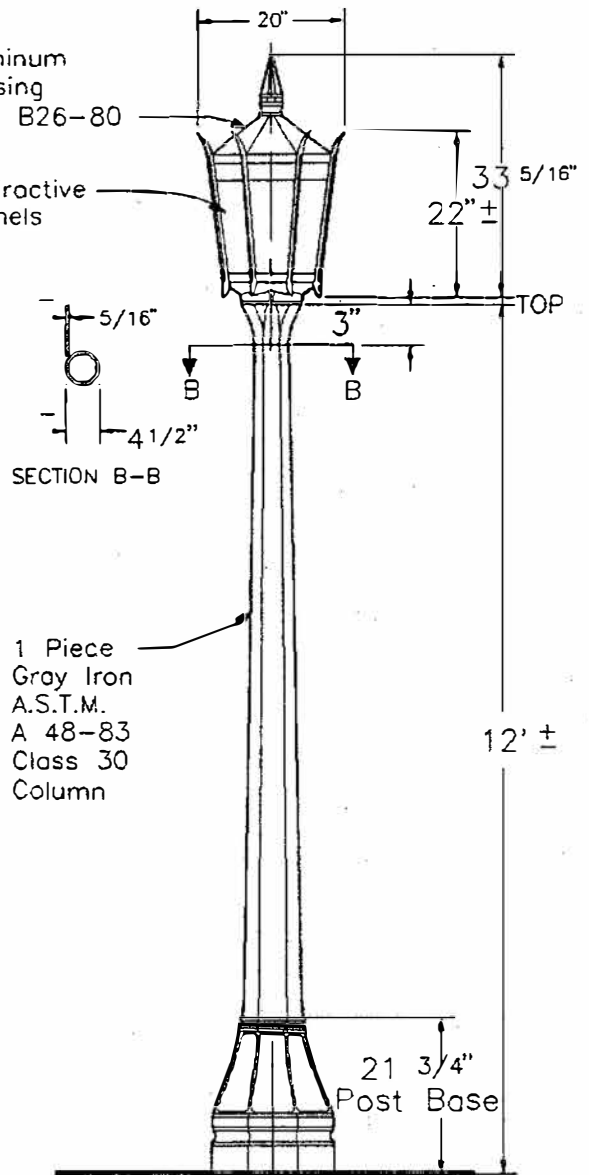
**The City Council, acting as the Local Contract Review Board, hereby authorizes the purchase of twenty-six (26) cast iron luminaire poles and lanterns of the Edgewater design as manufactured by Spring City Electrical Manufacturing Company and distributed by the Berg Agency, as an exemption to the competitive bidding requirements of Troutdale Municipal Code 2.24.030 and as an exemption to the brand name specification requirements of Troutdale Municipal Code 2.24.050.**



No Scale

Cast Aluminum Alloy Housing 319 ASTM B26-80

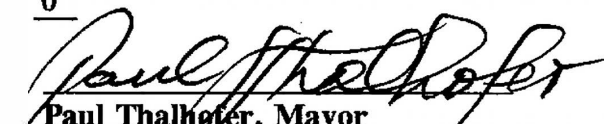
Refractive Panels



1 Piece Gray Iron A.S.T.M. A 48-83 Class 30 Column

ADOPTED BY THE COMMON COUNCIL OF THE CITY OF TROUTDALE THIS 24th  
DAY OF AUGUST, 1993.

YEAS: 5  
NAYS: 0  
ABSTAINED: 0

  
Paul Thalhofer, Mayor

Dated: August 26, 1993

ATTEST:



George Martinez  
Deputy City Recorder

D:\AUG93/AGENDA